



**Protect your patients,  
Preserve your instruments**

The most cost-effective, gentle and compatible room-temperature tabletop sterilizer.

Uses **90% less EO** than any other system.

**Anprolene AN74i**

**Suggested use:**

Space-saving design with small practices in mind. Knockout your sterilization needs, not your budget.

**Chamber dimensions:**

19.25"Lx13.75"Wx12.75"H

**Anprolene AN74j**

**Suggested use:**

Often found in zoos and equine practices due to its ability to sterilize oversized instruments and large loads.

**Chamber dimensions:**

29.25"Lx17.75"Wx12.5"H

**Anprolene AN74ix**

**Suggested use:**

Suitable for general use and medium-volume veterinary clinics. Can accommodate endoscopes and long instruments.

**Chamber dimensions:**

29.25"Lx13.75"Wx12.75"H



17.6 GRAM AMPOULE



35 LITER LINER BAG



FREE OPERATOR TRAINING

Bring the proven reliability of EO sterilization into your facility with the Anprolene System.

The Anprolene system has always offered the **most gentle 100% EO sterilization cycle** on the market: **Room temperature** sterilization (minimum 68° F), no steam injection, no deep vacuum, and **only 17.6 grams of gas**.

Unmatched sterilization compatibility. Protects your most **delicate instruments, electronics, drills, fiber optics, hand pieces and cameras**. As well as those **plastic, fabric, cellulose or rubber items** that you can't sterilize with other methods.

**FREE** operator training for the life of your sterilizer.



MOST COMPATIBLE

**STERILIZER IS INCLUDED WITH A STARTER KIT :**

**Starter Kit - All you need for 28 cycles!**

- 2 cases 17.6g Ampoules and Sterilization Liner Bags / **AN7916**
- 2 pouches Humidichip RH Stabilizer Chips / **AN1071**
- 1 unit Humiditube Holder / **AN1072**
- 2 boxes Dosimeter Chemical Indicators / **AN87**
- 1 box EO Indicator Tape / **AN2250**
- 1 box EO Exposure Indicator Strips / **AN85**
- 1 box EZTest Biological Indicators / **AN2203**
- 1 kit Kem Medical Vapor-Trak Monitors / **AN94**
- 1 unit Installation Kit / **AN7401**

**Affordable:** Our Anprolene line is quite simply the most affordable on the market – both in terms of cost to purchase and per cycle.

**Easy Installation:** Requires only a 120v or 240v outlet and a 1" exhaust line.

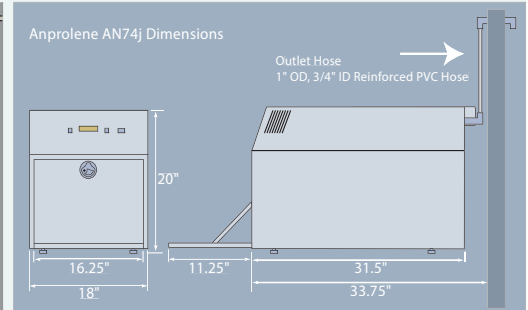
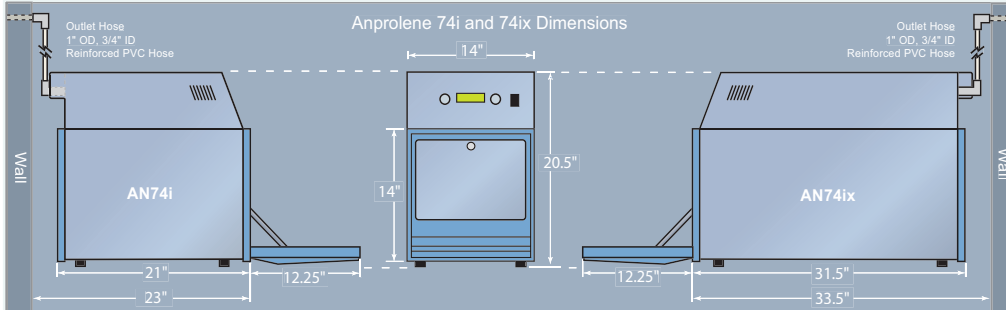
**Sterilization and Aeration in the same cabinet:** Andersen's purge probe flushes the liner bag with a constant flow of fresh air at the end of the cycle – no need to transfer items to a separate area. Two hours of aeration standard. EO-absorbent items may require additional aeration. Active aeration continues indefinitely until products are removed.

**Proven Reliability:** Anprolene is used in over 5,000 facilities worldwide. Trusted for more than 60 years. Find out how an Anprolene sterilizer can improve your practice today.

**Make Your System Zero Emissions:** Andersen abators are a simple, cartridge-based system that employ a dry catalyst resin. The resin converts ethylene oxide to biodegradable organic compounds. Replaceable abator cartridge has a 200 cycle capacity. Spent cartridges are non-hazardous.



ABATOR WITH CARTRIDGE



**Specifications: AN74i**

Model: AN74.64  
 Interior dimensions: 19.25"L x 13.75"W x 12.75"H  
 Exterior dimensions: 21"L x 14"W x 20.5"H  
 Cabinet capacity: 55 l  
 Total weight: 50.5 lbs.  
 Power Supply: 115v +/- 10%, 60 Hz/150 Watts  
 230v available (AN74.65)  
 Installation Category II

**Specifications: AN74ix**

Model: AN74.84  
 Interior dimensions: 29.25"L x 13.75"W x 12.75"H  
 Exterior dimensions: 31.5"L x 14"W x 20.5"H  
 Cabinet capacity: 84 l  
 Total weight: 60.5 lbs.  
 Power Supply: 115v +/- 10%, 60 Hz/150 Watts  
 230v available (AN74.85)  
 Installation Category II

**Specifications: AN74j**

Model: AN74.74  
 Interior dimensions: 29.25"L x 17.75"W x 12.5"H  
 Exterior dimensions: 31.5"L x 18"W x 20"H  
 Cabinet capacity: 110 l  
 Total weight: 85 lbs.  
 Power supply: 115 +/-10%, 50/60 Hz/150 Watts  
 230v available (AN74.75)  
 Installation Category II

PN4428\_033121